



Network Critical
The Window to your Network™

MPO Fiber Optical TAPS

Multi-mode for 40G/100G

DATA SHEET

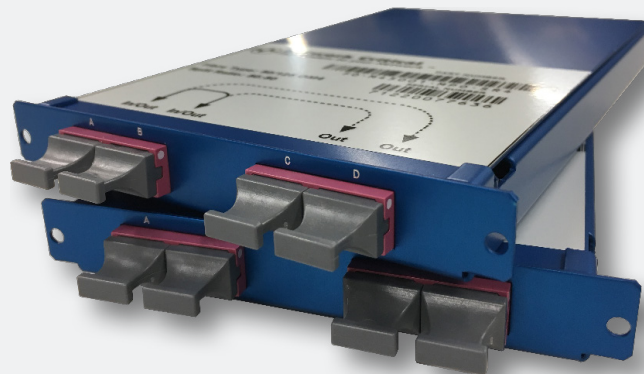




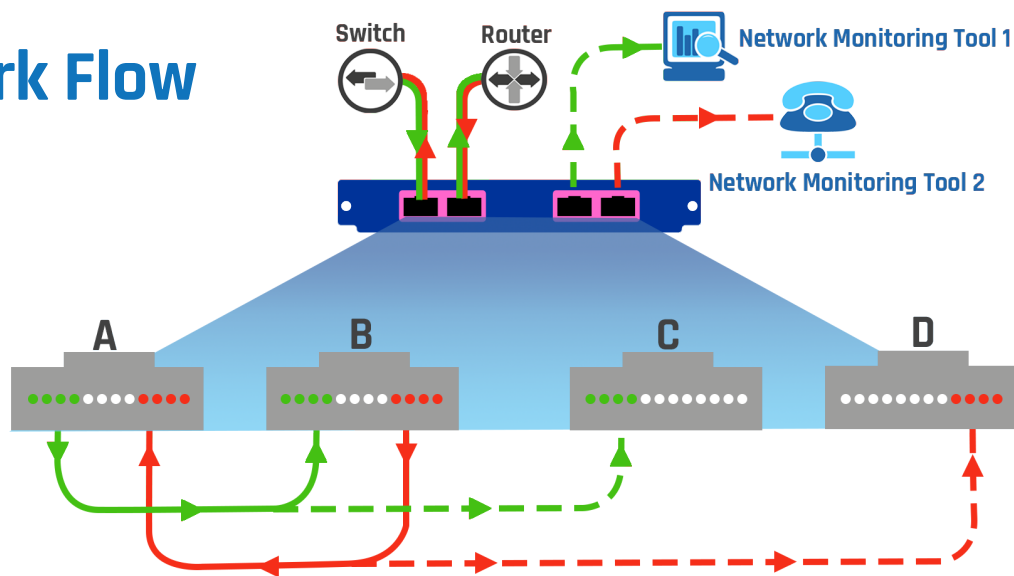
MPO stands for "Multi-fiber Push On" and it was developed to provide in-line monitoring of 40G and 100G fiber-optic networks by combining many fiber connections into a single connector.

Network Critical's MPO TAPs deliver higher density and performance while ensuring complete traffic visibility, zero packet loss, and no point of failure. With up to 24 fiber stands you can monitor a single 40G/ 100G connection, or multiple 1G/10G ones using breakout cables. These passive optical TAPs feature US Conec MTP® connectors, premium-grade fiber and precision Fused Biconical Taper (FBT) & Thin Film Filter (TFF) splicing to achieve the lowest insertion loss in the market, and require no power to operate.

Simple to install and with no configuration or ongoing maintenance costs, Network Critical's Passive Optical TAPs are the smart choice for access to the traffic in your network.



Network Flow



KEY FEATURES	BENEFITS
Completely passive with no IP/MAC address required	Transparent to your network and 100% failsafe, ensuring complete security for monitoring tools
Passes all full-duplex traffic, including errors	Ensures you receive 100% of your traffic which results in comprehensive network troubleshooting
MPO TAPs are optimized to ensure zero latency	No impact on performance of your network
Full range of split ratios (50:50, 60:40 and 70:30) & fiber types (MM).	Offers extensive and flexible access solutions
US Conec MTP® Elite connectors, premium grade fiber and precision fusion splicing for lowest insertion loss	Compliant with all connector brands and lowest insertion loss
Primary network access solution supporting all packet capture, performance monitoring, lawful interception and forensic analysis applications	Compliant with all major network monitoring and security vendor
Unmanaged device means no initial configuration time or on-going maintenance costs	Ensures a fast and easy installation process with minimal downtime
Always on; requires no power, introduces no point of failure	Fails to safe ensures no impact on performance of your network

Maximum Insertion Loss (MPO TAPs)

Multimode

Split Ratio	Network	Monitor
50:50	4.5 dB	4.5 dB
60:40	3.1 dB	5.1 dB
70:30	2.4 dB	6.3 dB
80:20	1.8 dB	8.1 dB
90:10	1.3 dB	11.5 dB

Network Critical's Passive Optical Fiber MPO TAPs provide secure and simple access to the live traffic in your high speed production networks, without introducing latency or a point of failure.

PRODUCT SPECIFICATIONS

Mechanical	TAP Dimensions (mm): 13 (H) x 168 (D) x 97 (W) Weight (kg): 0.085 kg Material/Colour: PC/ABS Anthracite Grey RAL 7016
Fiber Type	OM4: 50/125µm, Wavelength: 850nm (MPO)
Connectors	US Conec MTP® Elite
Certification	IEC 60793
Environmental data	Free of Halogen: Yes 2011/65/EC RoHS: Fully Compliant

MONITORING SOLUTIONS

Get the best result using Passive Optical TAPs



Packet Inspection



Performance Monitoring



Packet Capture



Lawful Interception



Forensics



IDS



Network Analyzer

MPO TAP PART NUMBERS (More Module types are available on request)

40Gb/100Gb Fiber Breakout TAPs - 40GBASE-SR4 or 100GBASE-SR4 Multimode MPO (OM4 50/125)

FO-M47001-MPO-SR4	Passive Optical TAP, OM4 70:30, MPO12, 40/100GBASE-SR4
FO-M46001-MPO-SR4	Passive Optical TAP, OM4, 60:40, MPO12, 40/100GBASE-SR4
FO-M45001-MPO-SR4	Passive Optical TAP, OM4, 50:50, MPO12, 40/100GBASE-SR4

100Gb Fiber Breakout TAPs - 100GBASE-SR10 Multimode MPO (OM4 50/125)

FO-M47001-MPO-SR10	Passive Optical TAP, OM4, 70:30, MPO24, 100GBASE-SR10
FO-M46001-MPO-SR10	Passive Optical TAP, OM4, 60:40, MPO24, 100GBASE-SR10
FO-M45001-MPO-SR10	Passive Optical TAP, OM4, 50:50, MPO24, 100GBASE-SR10

Different split ratios and special requests can be accommodated - please ask your sales representative

