



**Network Critical**  
The Window to your Network™

# Passive Optical 40G BiDi TAPs

High Density Fiber TAPs for Cisco 40G Bidirectional Links

---

## DATA SHEET



The Cisco 40G BiDi solution for leveraging 40Gbps Ethernet over your existing duplex MMF infrastructure is fast becoming a standard migration path from legacy to next-generation high speed networks.

The ingenious solution employs bidirectional optical signals at two different wavelengths in both fibers simultaneously to achieve a four-fold increase in operational bandwidth.

However, with this increased complexity monitoring the traffic in the link is more difficult than in traditional duplex fiber links and requires a pair of special BiDi monitoring transceivers that have no transmitting laser component, and a special kind of optical tap that can provide the isolated wavelengths to the monitoring transceivers.

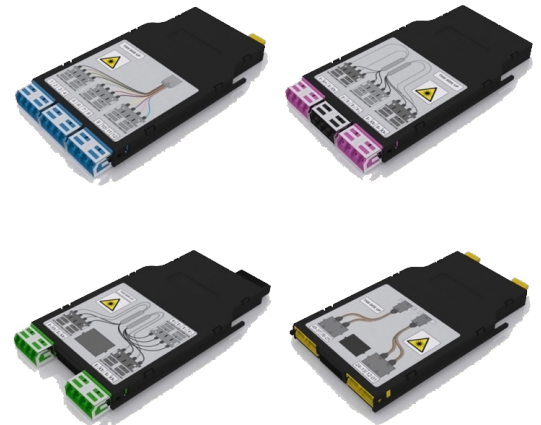
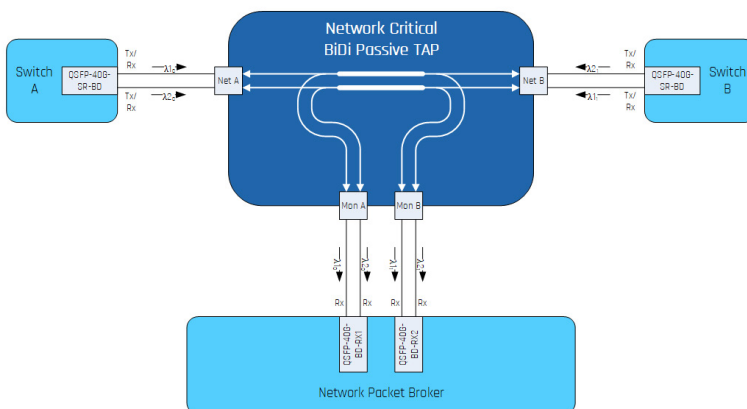
Network Critical meets this challenge with our fully passive, low loss bidirectional optical tap device, specially designed to work seamlessly

## Network Critical's Passive Optical 40G BiDi TAPs provide secure and simple access to live traffic in your Cisco 40G BiDi links, without introducing latency or a point of failure.

with the Cisco 40G BiDi solution.

These all-optical TAPs feature premium grade fiber and precision Thin Film Filter (TFF) splicing to achieve the lowest insertion loss in the market, and require no power to operate.

Simple to install and with no configuration or ongoing maintenance costs Network Critical's Passive Optical BiDi TAPs are the smart choice for access to the traffic in your network.



### PRODUCT SPECIFICATIONS

<b>Mechanical</b>	TAP Dimensions (mm): 13 (H) x 168 (D) x 97 (W) Weight (kg): 0.085 Material/Colour: PC/ABS Anthracite Grey RAL 7016
<b>Fiber Type</b>	OM4: 50/125µm
<b>Connectors</b>	Network Ports: (2) Duplex LC, Monitoring Ports: (2) Duplex LC
<b>Splitting Ratio</b>	50:50
<b>Insertion Loss (Max)</b>	3.75dB (includes connector losses)
<b>Operating Wavelength</b>	Min 830, Typical 850, Maximum 930nm
<b>Return Loss (Min)</b>	25dB
<b>Optical Power (Max)</b>	500mW
<b>Operating Temperature</b>	-20 to +70 °C
<b>Storage Temperature</b>	-40 to +85 °C
<b>Storage Humidity</b>	5 to 90%RH
<b>Standard Compliance</b>	GR-1209, GR-1221, 2011/65/EC RoHS, UL 94-V0, IEC 60793

### PART NUMBERS

40Gb BiDi Passive Fibre Breakout TAPs - 40GBASE-SR-BIDI Multimode LC (OM4 50/125)

OC-M45001-LC-40GSRBD TFF TAP 50:50 OM4 BiDi 850/nm/910nm LC